

DATA SHEET MERRY-GO-ROUND MAGIKA

Text for invitation to tender | Item No: 514023401



MATERIALS | SCOPE OF SUPPLY

Merry-go-round, pre-mounted completely

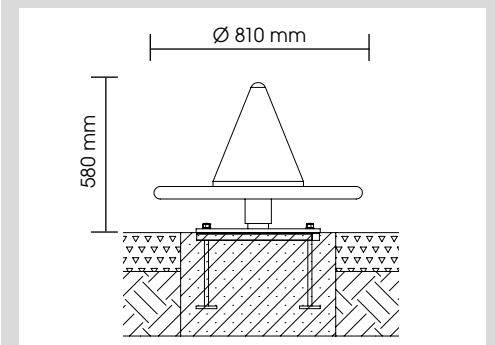
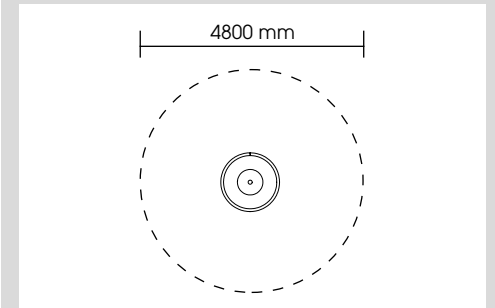
Tubular frame:	stainless steel, V2A
Base plate:	steel coated with EPDM granules with ball bearing at the bottom
Hat:	EPDM granules
Foundation anchor:	galvanized steel

TECHNICAL INFORMATION

Dimensions:

Main dimension:	Ø 810 mm
Height:	580 mm
Weight:	85 kg
Capacity:	acc. to normative requirements
Dimension largest piece:	Ø810 x 580 mm
Heaviest piece:	80 kg

Max. fall height:	200 mm
Impact area:	18,10 m ²
Required safety slabs:	25,00 m ²
Required lawn grating:	25,00 m ²
Recommended surface material:	grass, sand, wood chip, gravel, synth. impact protection



INSTALLATION

Foundations: 1
Modified installation depth possible (special edition)
Installation according to our detailed mounting instructions, see www.stilum.com

